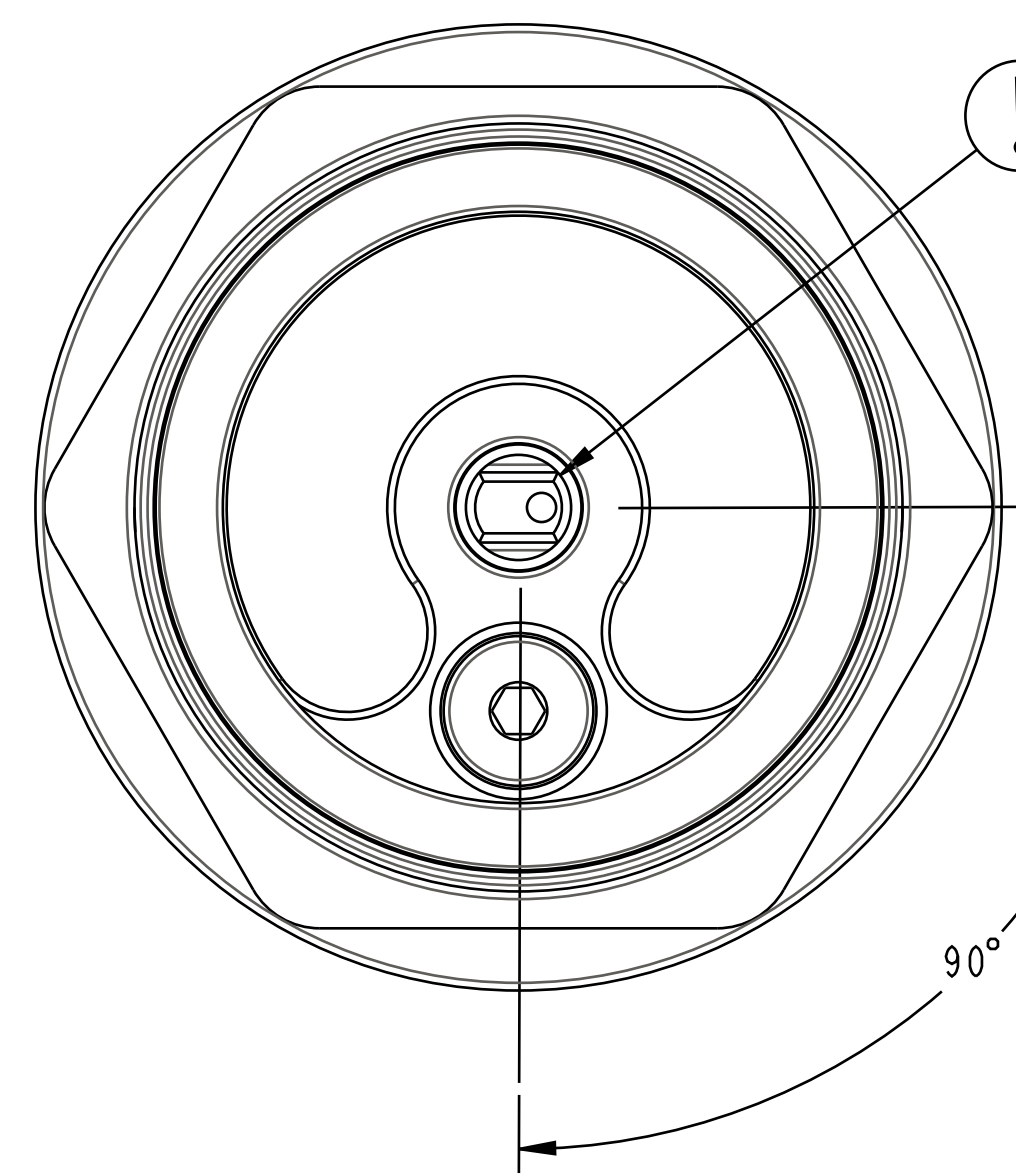
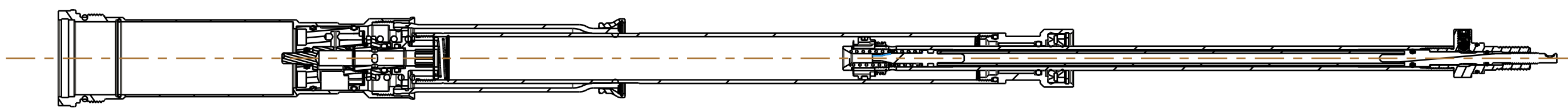


4

3

2

1



! IMPORTANT:
DURING OIL FILL, ADJUSTER WITH DOT
MUST BE ORIENTED AS SHOWN

! IMPORTANT:
REWORK/RACE TECHNICIANS: USING HEX TO TORQUE CAN DAMAGE CHECK
SHIM SEAL AND LOCKOUT WILL NOT FUNCTION. GENTLE!!

TORQUE:
75±5 IN.LB.

REBOUND ASSY

CARTRIDGE BODY

- 038-00-061 Retaining Ring: Internal, Smalley VH-56, 302 Stainless Steel
- 045-00-131 VALVE, METRIC [14.12MM OD X 10.67MM ID X 0.30MM TH]
- 039-00-205 Spring, Comp. Check, 2013 FIT-CTD, FIT-CTD Adjust and iCD
- 045-00-130 VALVE, 14.12MM OD X 6.15MM ID X 0.3MM TH
- 038-00-065 Retaining Ring: Snap, Smalley, Internal, Custom, Ø.923 BORE
- 210-22-303 Bladder, 010 RL-RLC
- 241-01-029 Bladder retainer, 011 RC2
- 210-22-609 LOWER BLADDER RING, SNAP RING, 013 32-34 CTD F/P AND iRD CD

- 210-22-807 Damper, 2015 FIT iCTD Coupler
- 029-08-164 Seals: O-Ring [6.5mm ID x 1.5mm CS] Metric, N-70, Static

TORQUE:
75±5 IN.LB.

820-05-287-KIT
TOPCAP ASSY

- 029-08-103 Seals: O-Ring [2.5 MM ID x 1.5 MM CS] Metric, N-70, Dynamic
- 210-22-426 SET SCREW, CUSTOM, BLEED, 2011 32 TERRALOGIC
- 029-08-140 Seals: O-Ring [24.0MM ID x 1.0MM CS] Metric, N-70, Static

- PROPRIETARY -
THIS DOCUMENT CONTAINS CONFIDENTIAL, PROPRIETARY INFORMATION
THAT IS FOX PROPERTY. DO NOT DISCLOSE TO OR DUPLICATE
FOR OTHERS EXCEPT AS AUTHORIZED BY FOX.

		FOX Factory, Inc.		Ph 831-768-1100
TITLE		130 Hangar Way, Watsonville, CA 95076 USA		Fax 831-768-9312
		2015 34 26-27.5-29in		
		iCTD Cartridge		
SIZE	DWG. NO.			
C				
PLOT SCALE 0.75:1				SHEET 1 OF 1

4

3

2

1

ProE ASSEM